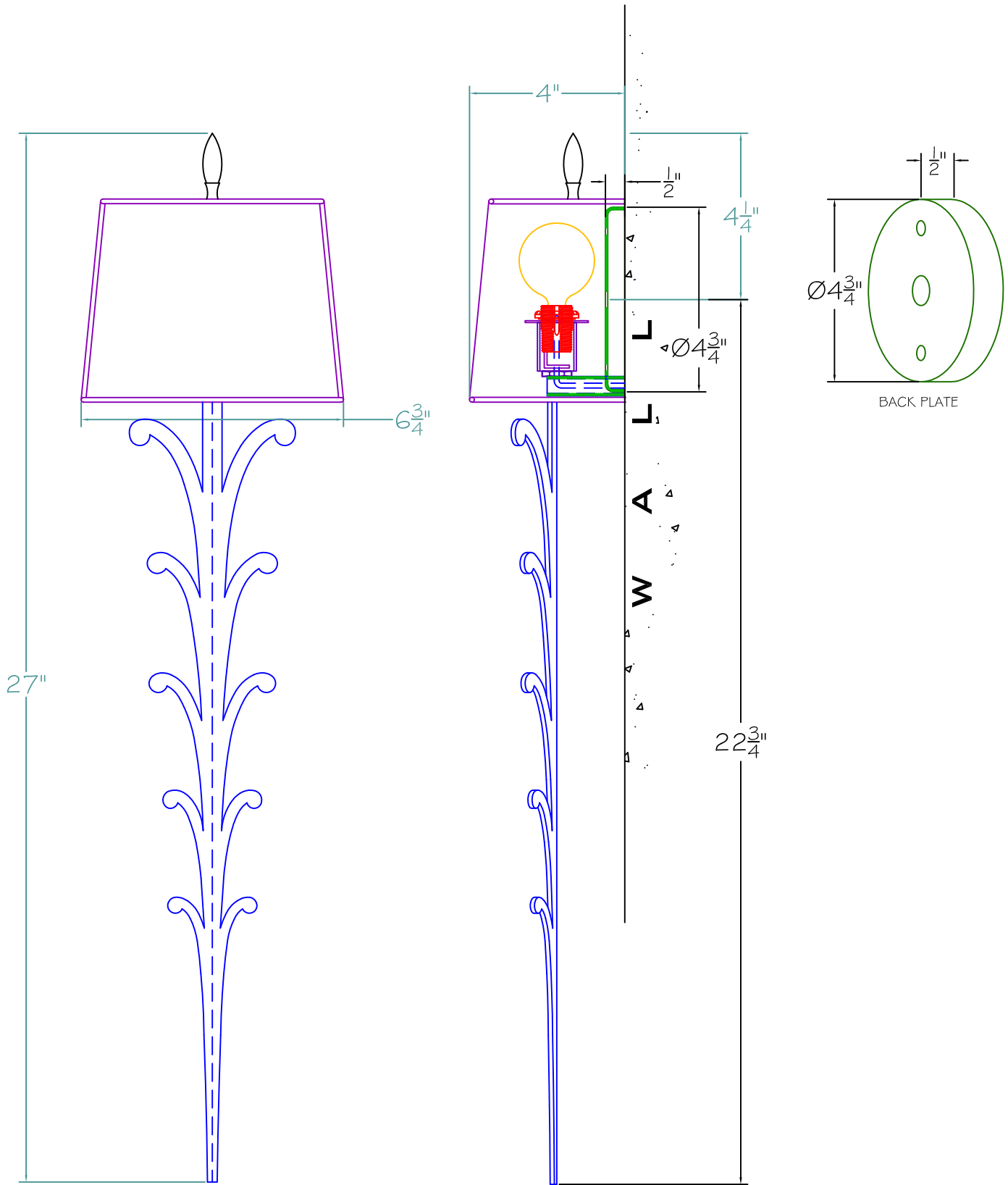


ASSEMBLY/ CUSTOMER SERVICE INSTRUCTIONS: OVERALL DIMENSION



This drawing and specifications are the exclusive property of BLUMBERG INDUSTRIES, INC. issued in strict confidence and shall not, without the prior written permission of BLUMBERG INDUSTRIES, INC., be produced, copied or used for any purpose whatsoever except the manufacture articles for FINE ART LAMPS.

<b>FINE ART LAMPS</b>		5770 - 5772 MIAMI LAKES DR. EAST, MIAMI LAKES, FL 33014 (305) 821-3850 FAX: (305) 821-1564	
STYLE	420650ST	PART	-
DFT.	JB	DATE	4/05/04
		SHEET	1 / 1
		REV.	A