

**HUGH™ 52**

# FPS8355\*\* -220 52" Wet Location Ceiling Fan

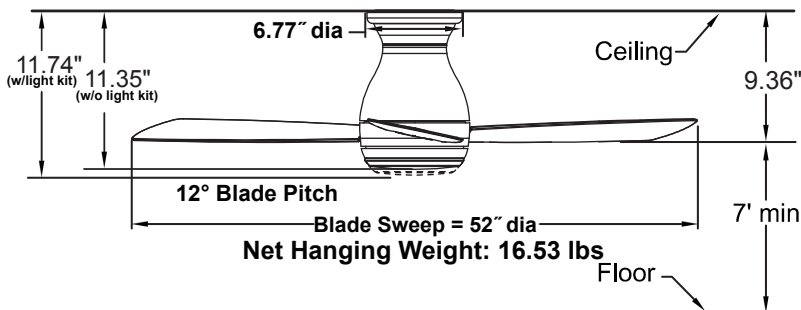


### Ceiling Bracket

Width of the screw slot



0.67" 2.52"



### INSTALLATION REQUIREMENTS:

Fan must be attached to a securely anchored electrical junction box capable of withstanding a load of at least 35 lbs.

### ELECTRICAL REQUIREMENTS:

Requires a grounded electrical supply line of 220~240 volts AC, 50 Hz, 5 amp circuit.

### MOTOR SPECS:

153 x 20 AC motor is designed for optimal performance with this fan.

### BLADE SET:

A set of three 24" composite blades is included.

### CONTROL OPTIONS:

C6WH-8355-220 wall control is included. This wall control has 3 fan speeds switch and light toggle switch. The reverse switch is inside the light kit. Optional BTCR9-220 and CRL4WH-220 hand-held remote controls with receiver units are available—sold separately. Instructions are provided with each control.

### LIGHTING OPTIONS:

One 18-watt LED included.

### LOCATION USE:

Fan is rated for dry, damp and wet locations (IP21).

### Available Finishes

Available Finishes	
BNW	Brushed Nickel with Brushed Nickel blades and Opal Frosted Glass / Composite Cap
DZW	Dark Bronze with Dark Bronze blades and Opal Frosted Glass / Composite Cap
GRW	Matte Greige with Matte Greige blades and Opal Frosted Glass / Composite Cap
MWW	Matte White with Matte White blades and Opal Frosted Glass / Composite Cap

### Light Bulb Information (220V)

Bulb Type	Watts	QTY	Lumens Amount	Color Temp	CRI
LED	18	1	1460	3000	80%

### Fan Airflow / Energy Efficiency Info (220V)

Fan Speed	Max RPM	CFM	CFM / Watts	Amps	Watts
High	190	5300	113	0.19	47
Med	129	3500	147	0.14	24
Low	88	2400	212	0.10	11