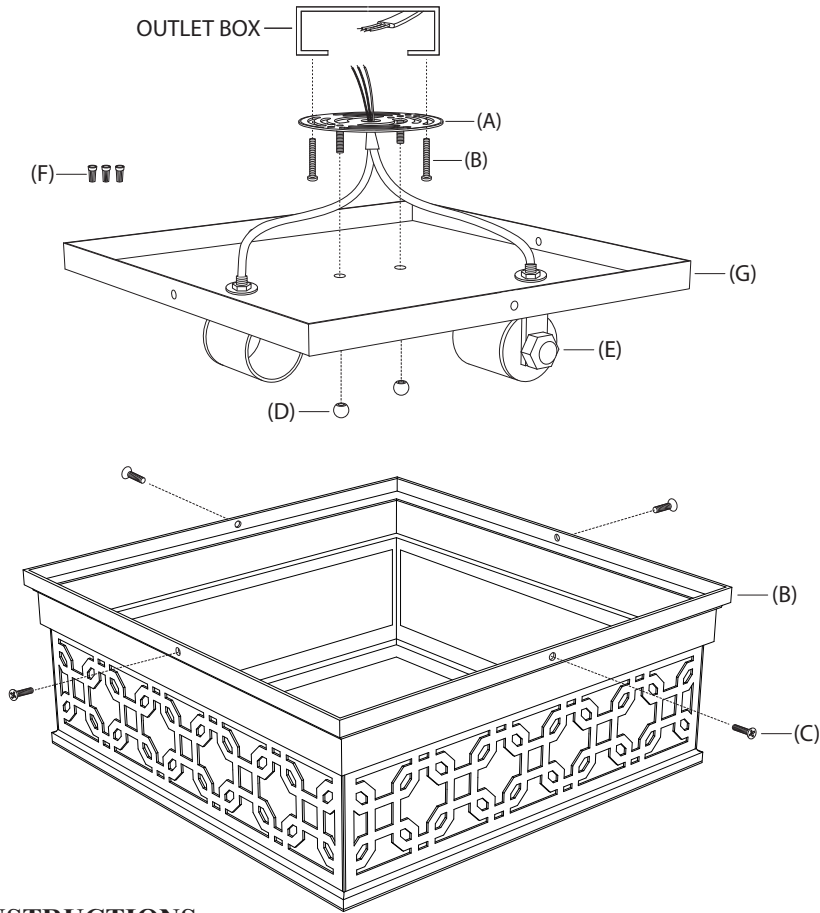


# ASSEMBLY INSTRUCTIONS FOR YOUR WILLIAMSBURG DICKINSON FLUSH MOUNT



## IMPORTANT SAFETY INSTRUCTIONS:

- \* These instructions are provided for your safety.
- \* It is very important that they are read completely before beginning the installation of your fixture.
- \* WE STRONGLY RECOMMEND INSTALLATION BY A LICENSED ELECTRICIAN.
- \* Turn off power at switch before replacing bulbs, making sure fixture has had sufficient time to cool down.

## ASSEMBLY INSTRUCTIONS:

1. SHUT OFF THE MAIN ELECTRICAL SUPPLY FROM THE MAIN FUSE BOX/ CIRCUIT BREAKER.
2. Remove all parts from carton and discard packing materials.
3. Place parts on a level surface. Remove canopy (G) from shade (B) by unthreading screws (C). Set screws (C) aside.
4. Remove mounting plate (A) from canopy (G) by removing threaded spheres (D). Set threaded spheres (D) aside.
5. Carefully pull wires from the wall outlet box and thread them through the center hole in mounting plate (A).
6. Affix mounting plate (A) to ceiling box outlet using mounting screws (B).
7. Lift canopy (G) to the ceiling and make the proper electrical connections noted in steps 8 through 10.  
A LICENSED ELECTRICIAN IS RECOMMENDED.
8. Attach ground wire from fixture (green or copper in color) to ground wire from outlet box. Fasten wires together with wire nut (F) and tightly wrap connection with electrical tape.
9. Attach hot wire from fixture (black in color or smooth side of wire) to hot wire from outlet box. Fasten wires together with wire nut (F) and tightly wrap connection with electrical tape.
10. Attach neutral wire from fixture (white in color or ribbed side of wire) to neutral wire from outlet box. Fasten wires together with wire nut (F) and tightly wrap connection with electrical tape.
11. Gently push wire connections back through center hole in mounting plate (A) and into the outlet box.
12. Lift canopy (G) over mounting plate (A). Use threaded spheres (D) to attach the canopy to mounting plate.
13. Install (2) 60W Max., Type A, medium base bulbs into sockets (E).
14. Lift shade (B) over canopy (G). Use screws (C) to attach the shade to the canopy.
15. Reconnect main electrical supply at the fuse box/ circuit breaker and test the fixture.

\*\* To clean, use soft cloth only. Do not use any chemical or abrasive cleaners. \*\*