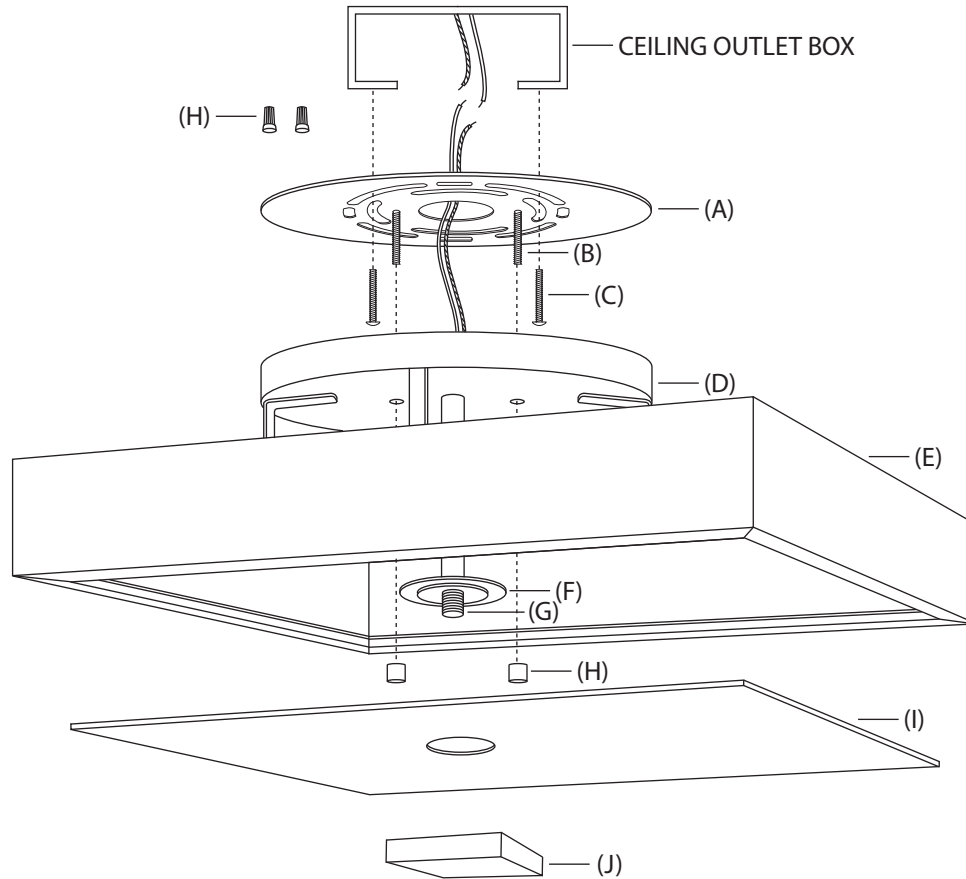


ASSEMBLY INSTRUCTIONS FOR YOUR
DOUGHNUT NOUVEAU FLUSH MOUNT



IMPORTANT SAFETY INSTRUCTIONS:

- *These instructions are provided for your safety. It is very important that they are read completely before beginning the installation of your fixture.
- *DIRECT WIRE FIXTURES: WE STRONGLY RECOMMEND INSTALLATION BY A LICENSED ELECTRICIAN.
- *Turn the power to fixture off before replacing bulbs, making sure the bulbs have sufficient time to cool down. Do not subject the fixture to any shock while lit as shattering of bulbs may result.

ASSEMBLY INSTRUCTIONS:

1. SHUT OFF THE MAIN ELECTRICAL SUPPLY FROM THE MAIN FUSE BOX/ CIRCUIT BREAKER.
2. Remove all parts from carton. Do not throw away any parts.
3. Attach mounting plate (A) to ceiling outlet box using screws (C), provided. Remove nuts (H) from mounting screws (B). Set nuts (H) aside.
4. Lift canopy (D) to ceiling outlet box. Make proper electrical connections described in steps 5 - 7.
5. Attach ground wire from fixture (GREEN) to the ground wire in outlet box. IT IS IMPERATIVE THAT THE OUTLET BOX IN YOUR HOME BE PROPERLY GROUNDED.
6. Connect the neutral wire from fixture (WHITE or RIBBED side of wire) to the neutral wire from the outlet box. Fasten wires together with plastic wire nut (H) and tightly wrap connection with electrical tape.
7. Connect the hot wire from fixture (BLACK or SMOOTH side of wire) to the hot wire from the outlet box. Fasten wires together with plastic wire nut (H) and tightly wrap connection with electrical tape.
8. Gently push wire connections back into into ceiling outlet box.
9. Place canopy (D) over mounting plate (A). Mounting screws (B) will protrude through holes in canopy (D).
10. Thread nuts (H) onto exposed ends of mounting screws (B) to secure fixture to ceiling outlet box.
11. Insert two (2) 60W max. Type B, medium base torpedo bulbs into sockets.
12. Carefully lift glass (I) into metal frame (E) so it rests against plate (F). Threaded tube (G) will protrude through hole in the center of glass (I).
13. Holding glass in place, carefully thread finial (J) onto threaded tube (G). DO NOT overtighten finial (J). Overtightening can cause glass (I) to break.

CARE INSTRUCTIONS:

- *To clean, use a soft cloth only. DO NOT use any chemical or abrasive cleaners.