

MICHAEL BERMAN

BOND

545

Flush Mount

3-60W Max.

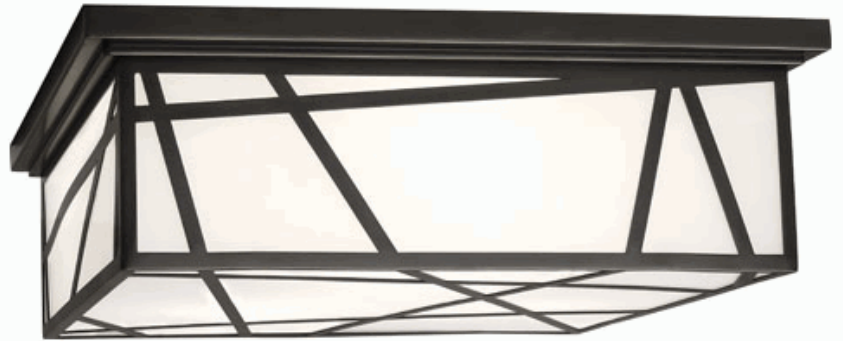
Bulb Type: A

Direct Wire

Deep Patina Bronze Finish

White Glass Shade Panels

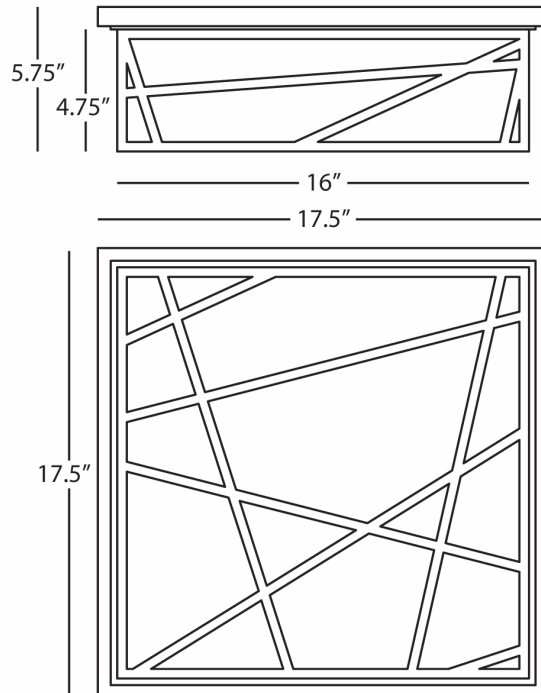
UL Rated for Damp Locations



FINISH OPTIONS:

535 - Modern Brass

555 - Blackened Nickel



**\*\* Available for Quick SHIP \*\***